



EA50A

SINGLETURN ABSOLUTE ENCODER

Absolute Encoders

- Absolute encoder size 50 with the following characteristics:
- Resolutions up to 1024 imp/turn (10 bit)
 - Different electronic configuration available with power supply up to 28 Vdc.
 - Output cable and connector.
 - Speed rotation up to 6000 rpm.
 - Protection IP66.



Singleturn Absolute Encoders

Ordering codes

In case of a particular Customer variant separate by a full stop

EA 50 A 360 G 5 N N 6 X 6 P R . XXX

EA = singleturn absolute encoder

50 = body dimension

A = mod.EA50A Type of flanges

2 / 4 / 8 / 16 / 32 / 64 / 128 / 256 / 1024
90 / 180 / 360 / 720
250 / 500 / 1000 Resolutions
 N.B.: For impulse availability contact our offices

G = GRAY Code

5
8 ÷ 28 Encoder power supply (Vdc)

N = NPN (Standard negative logic)
C = NPN OPEN COLLECTOR (Standard negative logic)
R = PNP (Standard positive logic)
U = PNP OPEN COLLECTOR (Standard positive logic)
Electronic output configuration
 N.B.: For the optionals on the output configurations contact our offices

XXX = Particular Customer variants indicated by a un numero progressivo da 001 a 999

R = radial

P = fairled
 standard lenght 0.5 m
VB = Connector type 15 pin

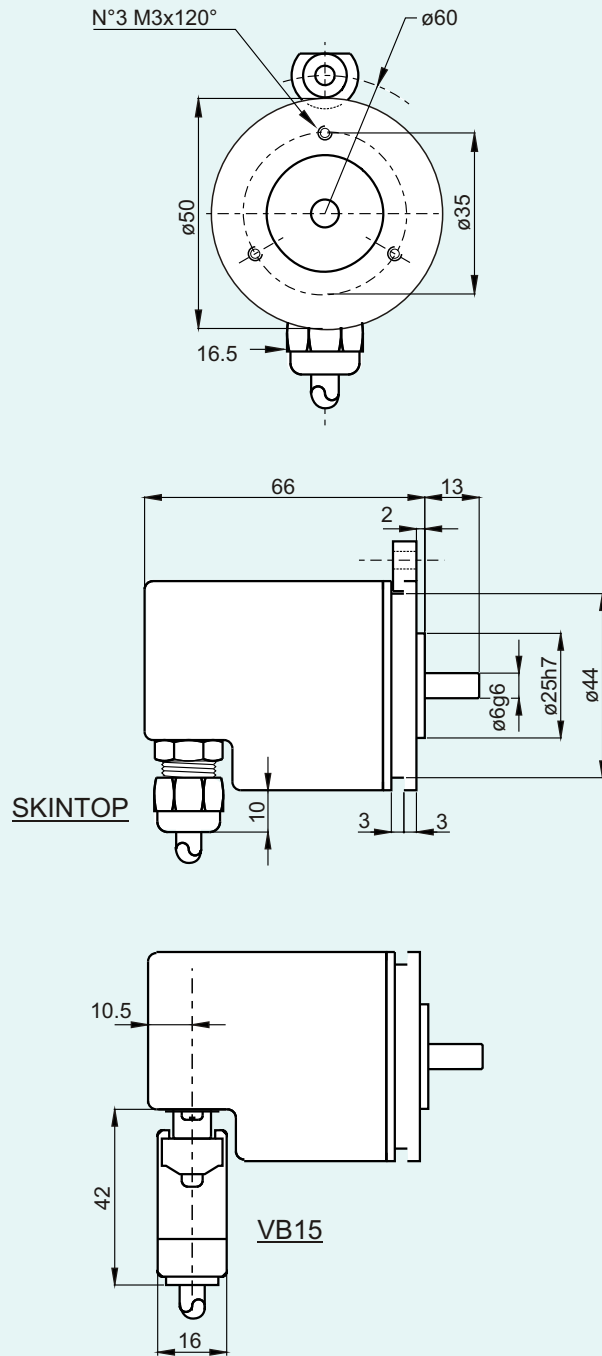
3 = 3000 with IP66 R.P.M
6 = 6000

X = IP64
S = optional IP66 (only with fairled) Protection

6 = ø6g6 mm Shaft diameter

N = Negative
P = Positive Logic

EA50A



Electronic Characteristics

Resolution	2 / 4 / 8 / 16 / 32 / 64 / 128 / 256 / 512 / 1024 90 / 180 / 360 / 720 250 / 500 / 1000
Power supply	5 Vdc / 8 ± 28 Vdc
Current consumption without load	150 mA
Max commutable current	40 mA per channel
Electronic output configuration	NPN (negative logic) NPN Open Collector (negative logic) PNP (positive logic) PNP Open Collector (positive logic)
Max output frequency	100 KHz output code
Code	GRAY

Mechanical Characteristics

Shaft diameter (mm)	ø6 g6
Protection	IP64 - Standard IP66 - Optional (only Skintop)
R.P.M. Max	3000 with IP66 6000 with IP64
Max shaft load	5N (0.5 Kp) axial 5N (0.5 Kp) radial
Shock	50 G per 11 msec
Vibrations	10G 10 ± 2000 Hz
Bearings life	10 ⁹ revolutions
Bearings	n°2 ball bearings
Shaft material	Stainless steel AISI303
Body material	Aluminium D11S - UNI 9002/5
Cover material	Special plastic reinforced with glass fibre
Operating Temperature	0° + 60°C
Storage Temperature	-15° + 70°C
Weight	250 g

Connections and standard colours

CABLE COLOURS	FUNCTION	G	PIN "V15MP"
green	bit 1 (LSB)	G ⁰	1
yellow	bit 2	G ¹	2
blue	bit 3	G ²	3
brown	bit 4	G ³	4
pink	bit 5	G ⁴	5
white	bit 6	G ⁵	6
gray	bit 7	G ⁶	7
violet	bit 8	G ⁷	8
gray-pink	bit 9	G ⁸	9
white-green	bit 10	G ⁹	10
	/	/	11
	/	/	12
red-blue	U / D	/	13
black	0 Volt	/	14
red	+ Vdc	/	15

